

Preliminary

CP-X430

Brightest in the class



www.hitachiprojectors.com

- 2500 ANSI lumens
- XGA resolution
- Multiple inputs include DVI and component video
- Advanced user features

HITACHI
Inspire the Next

CP-X430 Technical Specifications

OPTICAL

| | |
|-------------------|--|
| Optical structure | 3 reflective LCD panels, one projection lens |
| LCD panel | 0.9", P-Si active matrix TFT panel x 3 |
| Resolution | Computer: 1024 x 768 (XGA) Video: 540 TV lines |
| Lens | F1.74~2.08, f=36.8~47.8mm Manual zoom 1.3x |
| Lamp | 250W UHB |
| Lamp life | 2000 hours |
| Brightness | 2500 ANSI lumens 2000 ANSI lumens in whisper mode |
| Contrast ratio | 350:1 (typical) |
| Focus distance | 1.2m~15.7m |
| Display size | 30"~300" |
| Colour | 8bits/colour, 16.7M colours |

COMPATIBILITY

| | |
|-----------------|---|
| Composite video | PAL (-BGDHI), PAL-M,N/PAL60, NTSC, NTSC4.43, and SECAM |
| Component video | 720p and 1080i |
| Computer | PC, Mac, Workstation, VGA, SVGA, XGA, SXGA, SXGA+ (1365 x 1024) and UXGA (smart resizing) |
| Plug & Play | DDC1/2B at RGB1, DDC2B at DVI |
| Frequency range | Horizontal: 15~80kHz, Vertical: 60~120Hz |

FEATURES

| | |
|---------------------|--|
| Keystone correction | Fixed 10:1 upward shift, plus horizontal and vertical digital correction |
| MyScreen | A user defined image can be stored for automatic display at start up |
| Video output | Motion Adaptive Progressive Scan, advanced black level enhancement, noise reduction, Theatre Mode 2-3 pull down for NTSC |
| Image control | 2x digital magnification, freeze frame, picture-in-picture, mirror reverse & invert image |
| User controls | Remote control, mouse control, 9 language on screen menu system, auto configuration |
| Speakers | 1.0W x 2 |
| Other | Ceiling mountable |

CONNECTORS

| | |
|----------------|---|
| Computer Input | 2 x RGB analogue - 15-pin D-sub 1 x RGB digital - DVI-D (without analogue) 2 x Audio - stereo mini-jack |
| Video Input | 1 x S-Video - mini-DIN 4 pin 1 x Composite - phono 1 x Component - phono 1 x Audio (L&R) - phono |
| RGB Output | 1 x Analogue - 15-pin D-sub |
| Audio Output | 1 x Audio - stereo mini-jack |
| Control | 1 x RS-232C - 15-pin D-sub 1 x USB |

POWER

| | |
|-------------------|------------------------------|
| Power supply | 100~120/220~240V AC, 50/60Hz |
| Power consumption | 410W |

PHYSICAL

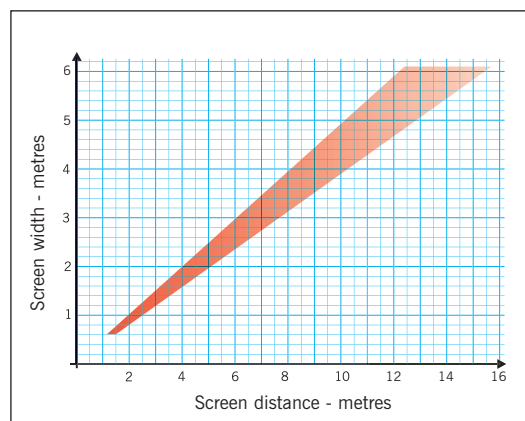
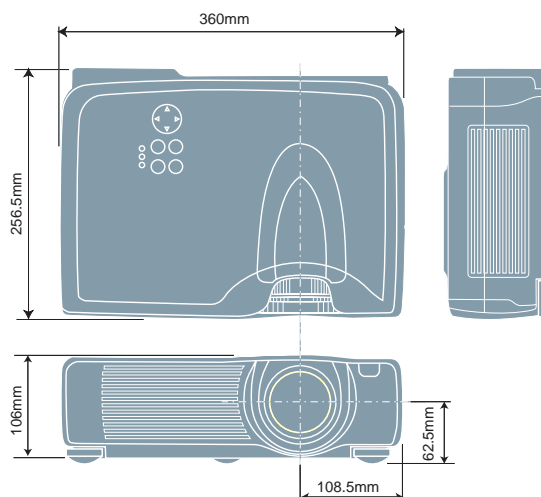
| | |
|--------------------|---|
| Dimensions (WxHxD) | 360 x 106 x 256.5mm excluding lens & legs |
| Weight | 4.2kg |
| Noise level | 40dB normal, 36dB Whisper mode |
| Approvals | CE, TÜV, UL, FCC |

SUPPLIED WITH

| | |
|------------------------------------|--------------------|
| Remote control with mouse function | Soft carrying case |
| Power cord (US, UK, Europe) | Video/audio cable |
| PS/2 mouse cable | RGB cable |
| Component cable | |

OPTIONS

| |
|---|
| Wheeled aluminium flight case (FLC300A), accommodates projector and notebook computer |
|---|



| Image size | | Projection distance | |
|-------------|-------|---------------------|-------|
| Diagonal | Width | Min | Max |
| 30" (0.76) | 0.61m | 1.2m | 1.5m |
| 40" (1.02) | 0.81m | 1.6m | 2.1m |
| 60" (1.52) | 1.22m | 2.4m | 3.1m |
| 80" (2.03) | 1.63m | 3.2m | 4.2m |
| 100" (2.54) | 2.03m | 4.1m | 5.2m |
| 120" (3.05) | 2.44m | 4.9m | 6.3m |
| 150" (3.81) | 3.05m | 6.1m | 7.8m |
| 200" (5.08) | 4.06m | 8.2m | 10.4m |
| 300" (7.62) | 6.10m | 12.4m | 15.7m |

All brand or product names are trademarks or registered trademarks of their respective owners. Design and specifications are subject to change without notice.

Warranty: 3 years for projector, 6 months for lamp only - subject to normal use.

Hitachi Information Media Group

European head office:
Dukes Meadow, Millboard Rd
Bourne End, SL8 5XF, UK
Tel: +44 (0)1628 643000
Fax: +44 (0)1628 643403
www.hitachiprojectors.com

Danish office:
Egebaekgård, Egebaekvej 98
2850 Nærum
Tel: +45 43 43 60 50
Fax: +45 43 43 60 51
www.hitachiprojectors.com

Finnish office:
Askonkatu 9 C
15100 Lahti
Tel: +358 (0)3 8858 271
Fax: +358 (0)3 8858 272
www.hitachiprojectors.com

Norwegian office:
Brugata 14
N-0186 Oslo
Tel: +47 2205 9085
Fax: +47 2205 9061
www.hitachiprojectors.com

Swedish office:
Box 77
S-164 94 Kista
Tel: +46 8 5627 1100
Fax: +46 8 5627 1111
www.hitachiprojectors.com